



DEUTSCHE BÖRSE  
GROUP



eurex

eurex us

## SOLID STATE DISK TURBOCHARGED I/O PERFORMANCE

*"Our clients love the DSI3200's performance, value and reliability"*

—Chris Johnson, Vice President of Storage Solutions  
Dynamic Solutions International

### CUSTOMER'S OBJECTIVE:

*Improve backend performance of time critical server operations.*

### SOLUTION:

*DSI3200 Solid State Disk from DSI.*

### BENEFITS:

*Dramatic system performance improvements, elimination of I/O bottlenecks, faster response times.*

### DSI3200 QUICK SPECS:

*3 Gigabytes per Second  
250,000 IOPS  
16-64 GB Storage  
2-8 FC Links (2Gb)*

## DSI3200 delivers significant performance

### DEUTSCHE BÖRSE SYSTEMS

Deutsche Börse Systems (DBS) AG in Frankfurt, Germany, develops, implements and operates the trading and settlement systems of Deutsche Börse Group. Deutsche Börse Systems operates the world's leading electronic trading systems for the cash and derivatives markets. The exchange industry is intensely competitive and Deutsche Börse understands the value of exceptional customer service and the tools it takes to maintain an edge against the competition.

Deutsche Börse Systems operates 11 exchanges worldwide, including the Eurex trading systems at DBS headquarters in Frankfurt, Germany which processes millions of transactions each day for thousands of customers. To keep the important transaction volume high and the customers happy, Deutsche Börse Systems partnered with Dynamic Solutions International for the latest in data storage solutions technology.



**ds**i dynamic  
solutions  
international  
www.dynamicsolutions.com  
1.800.641.5215

*"Turbocharge I/O Performance with Solid State Disk from Dynamic Solutions International"*

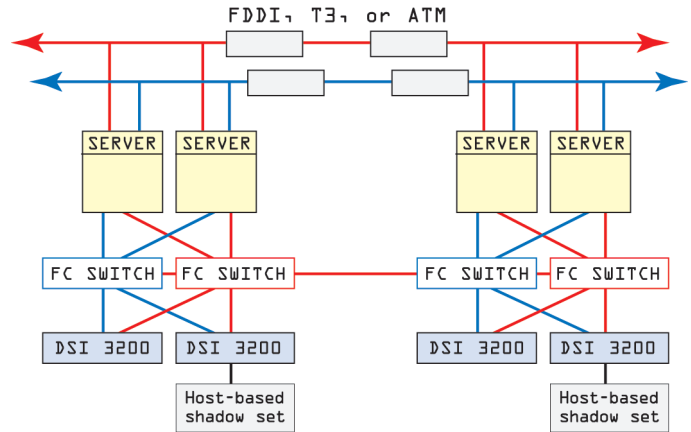
© Copyright 2004 Dynamic Solutions International. All rights reserved.

Figure 1. DSI 3200 Solid State Disk



At 250,000 I/Os Per Second and storage of up to 64 GB, the DSI3200 balances performance with capacity

Figure 2. Fibre Channel in a DT Cluster



**DEUTSCHE BÖRSE'S EXPANSION:**

In February 2004 DBS opened Eurex US, a major derivatives market based in Chicago. The fully electronic exchange provides easy cost-effective access for more than 100 customers and 1,800 traders, enabling them to efficiently trade treasury notes and bonds. When DBS launched Eurex US, it looked again to Dynamic Solutions International for assistance.

"Our financial sector clients demand high speed, low risk data storage solutions. They love the DSI3200's performance, value and reliability," said **Chris Johnson**, Vice President of Storage Solutions with Dynamic Solutions International, a leading provider of storage management solutions. Johnson adds, "The DSI3200 delivers up to 250,000 IOPS and 3 gigabytes of data per second."

**CONCLUSION:**

With this type of cost/benefit ratio, DBS encourages others to consider DSI's Solid State Disk. Why buy more servers when Solid State Disk provides a superior return on investment? Based on their experience, DBS recommends Dynamic Solutions International and their Solid State Disk without hesitation.

**DSI3200 TO THE RESCUE:**

Using DSI's solid state disk systems in their processing centers in Germany, Deutsche Börse Systems sought to augment server operations by adding solid state disk to the time critical processing environment in Chicago. "We greatly improved the response times of our systems in Germany by introducing solid state disk from DSI. Without Dynamic Solutions International's solid state disk, we experienced disk queuing and under utilization of processors", said **Michael Gruth**, Manager of Systems and Network support for Deutsche Börse Systems.

*"Solid state disk from DSI has increased productivity and lowered operational costs—what more could we ask for?"*  
—Michael Gruth,  
DBS Systems Manager

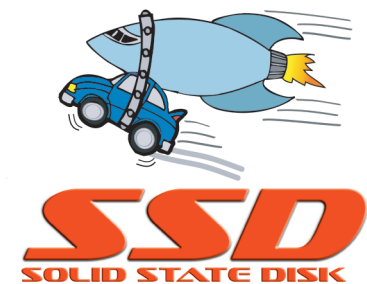
For more information on solid-state disk products, please contact DSI at:

- TOLL FREE:** 800.641.5215
- DIRECT:** 303.754.2000
- ONLINE:** [www.dynamicsolutions.com](http://www.dynamicsolutions.com)
- EMAIL:** [sherlock@dynamicolutions.com](mailto:sherlock@dynamicolutions.com)

**DEUTSCHE BÖRSE SYSTEM BENEFITS:**

"Our staff likes working with Dynamic Solutions International," Gruth said. "Solid State Disk from DSI has increased productivity and lowered operational costs—what more could we ask for? DSI is a strategic partner to Deutsche Börse Systems in that their innovative technologies help us maintain our position as a highly respected, customer driven exchange."

**Maximize I/O Performance!**



*"Turbocharge I/O Performance with Solid State Disk from Dynamic Solutions International!"*